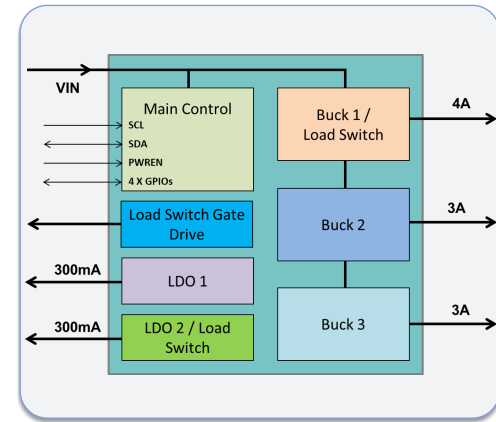


Advanced PMIC with 3 Bucks, 2 LDOs and Load Bypass Switch

Low Cost 5V PMIC in Small WLCSP

The ACT88325 PMIC is an integrated ActivePMU™ power management unit. It is highly flexible and can be reconfigured via I²C for multiple applications without the need for PCB changes. The low external component count and high configurability significantly speeds time to market. Examples of configurable options include output voltage, start-up time, system level sequencing, switching frequency, sleep modes, operating modes etc. The core of the device includes 3 DC/DC step down converters using integrated power FETs, and 2 low-dropout regulators (LDOs). Each regulator can be configured for a wide range of output voltages through the I²C interface.



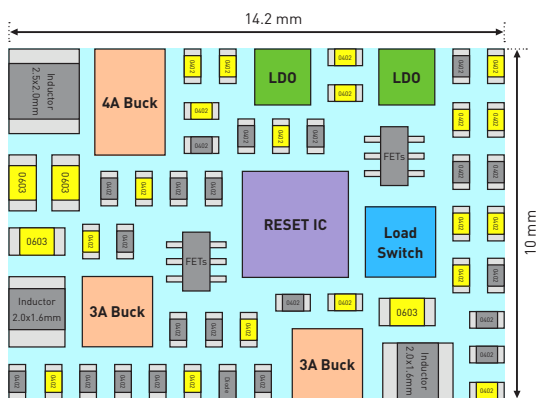
High Integration PMIC – Key Features:

- ◆ 2.7V ~ 5.5V Input Voltage Range
- ◆ Buck 1: 0.6V ~ 4V / 4A Buck / Load Switch
- ◆ Buck 2: 0.6V ~ 4V / 3A Buck
- ◆ Buck 3: 0.8V ~ 4V / 3A Buck
- ◆ 2 X 300mA LDOs, LDO2 can be Configured as Load Switch
- ◆ NFET Load Switch Gate Drive

High System Configurability:

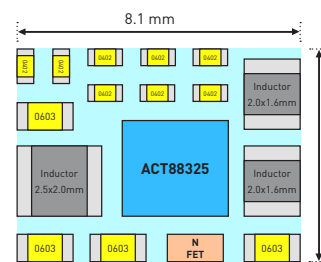
- ◆ I²C Serial Interface for Monitoring and Control
- ◆ 4 GPIOs
- ◆ Interrupt Controller for Faults & Status Monitoring
- ◆ Highly Configurable for Regulation Voltages, Power Sequencing (Up & Down) and GPIO Functionality
- ◆ Multiple Sleep Mode
- ◆ 2.8mm x 3mm CSP Package, Compatible with Standard PTH PCB Board

Size Savings



Discrete
Solution Size: 142 mm²
Component Count: 57

65% Smaller Solution!



ACT88325
Solution Size: 49.4 mm²
Component Count: 17

Applications

- ◆ Solid-State Drives
- ◆ Microcontroller Applications
- ◆ FPGA
- ◆ Personal Navigation Devices